

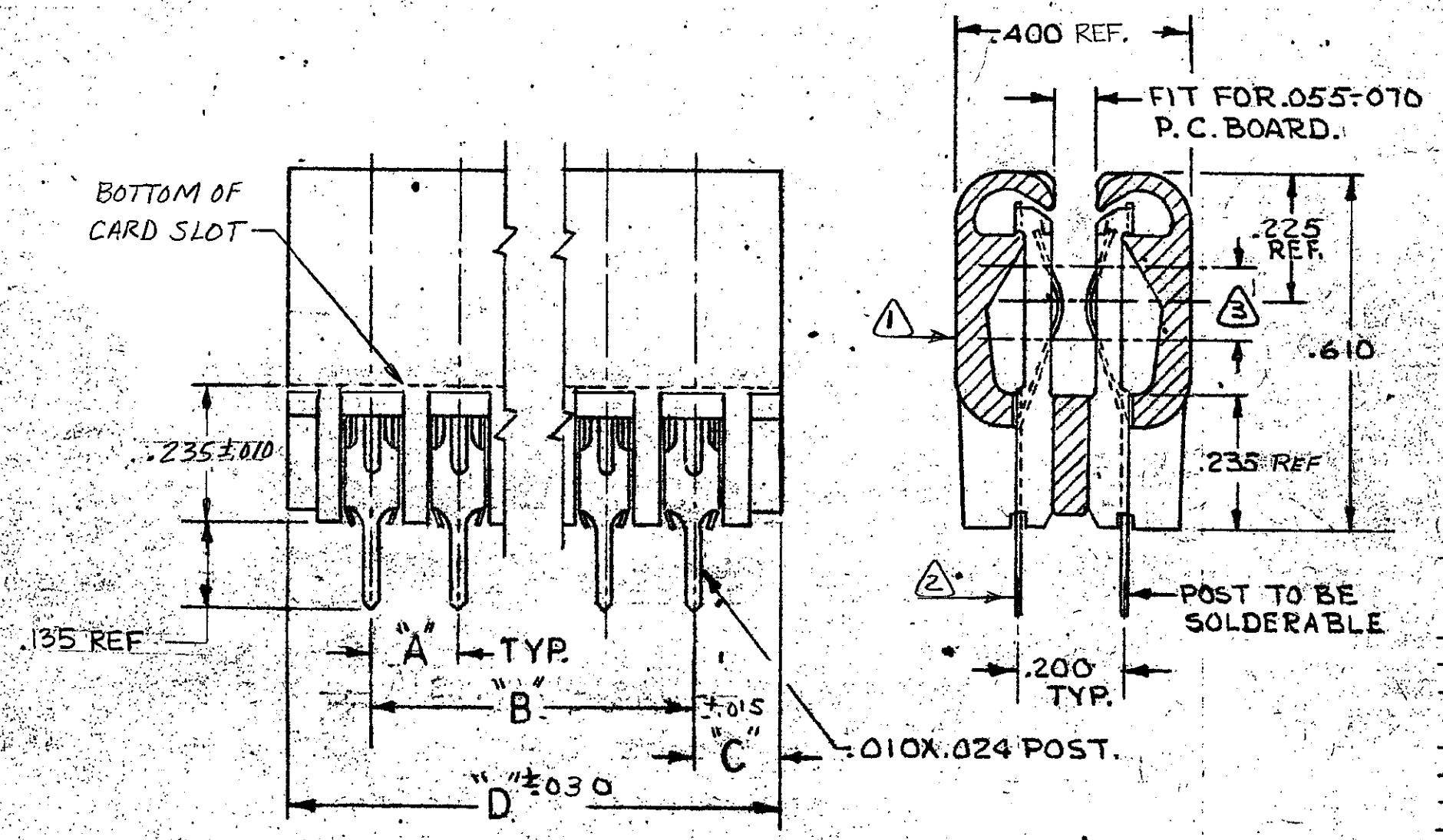
© 1969 BY AMP INCORPORATED. ALL RIGHTS RESERVED. AMP PRODUCTS ARE COVERED BY PATENTS AND/OR PATENTS PENDING.

Unauthorized copying or reuse of this drawing is prohibited without written permission of AMP Incorporated.

PART NO.	NO. OF POS.	A	B	C	D
583486-1	50	.156	7.644	.156	7.956
-2	49		7.488		7.800
-3	48		7.332		7.644
-4	47		7.176		7.488
-5	46		7.020		7.332
-6	45		6.864		7.176
-7	44		6.708		7.020
-8	43		6.552		6.864
-9	42		6.396		6.708
1-583486-0	41		6.240		6.552
1-1	40		6.084		6.396
-2	39		5.928		6.240
1-3	38		5.772		6.084
1-4	37		5.616		5.928
1-5	36		5.460		5.772
1-6	35		5.304		5.616
1-7	34		5.148		5.460
1-8	33		4.992		5.304
1-9	32		4.836		5.148
2-583486-0	31		4.680		4.992
2-1	30		4.524		4.836
2-2	29		4.368		4.680
2-3	28		4.212		4.524
2-4	27		4.056		4.368
2-5	26		3.900		4.212
2-6	25		3.744		4.056
2-7	24		3.588		3.900
2-8	23		3.432		3.744
2-9	22		3.276		3.588
3-583486-0	21		3.120		3.432
3-1	20		2.964		3.276
3-2	19		2.808		3.120
3-3	18		2.652		2.964
3-4	17		2.496		2.808
3-5	16		2.340		2.652
3-6	15		2.184		2.496
3-7	14		2.028		2.340
3-8	13		1.872		2.184
3-9	12		1.716		2.028
4-583486-0	11		1.560		1.872
4-1	10		1.404		1.716
4-2	9		1.248		1.560
4-3	8		1.092		1.404
4-4	7		.936		1.248
4-5	6		.780		1.092
4-6	5		.624		.936
4-7	4		.468		.780
4-583486-8	3	.156	.312	.156	.624
4-583486-9	53	.156	8.112	.156	8.424
5-583486-0	56	.156	8.580	.156	8.892

OBSOLETE

REVISIONS				
ZONE	LTR	DESCRIPTION	DATE	APPROVED
V		REV PER AD5654	6-12-91	RB CM
W		REACTIVATE 1-5 PER 81-5148-002	8-1-91	RB CM
Y		REACTIVATE 2-9 PER 91-5148-004	2-22-93	RB CM
Z		REV. 0010-0252-93	3-8-93	RB CM
AA		REV PER 0010-0577-93	6-21-93	RB CM
AB		REV PER 0010-1602-95	1-96	RB HWR
AC		REV PER 0010-1604-95	1-97	RB
AD		REV PER EC 0320-209-97	7-1-97	NS



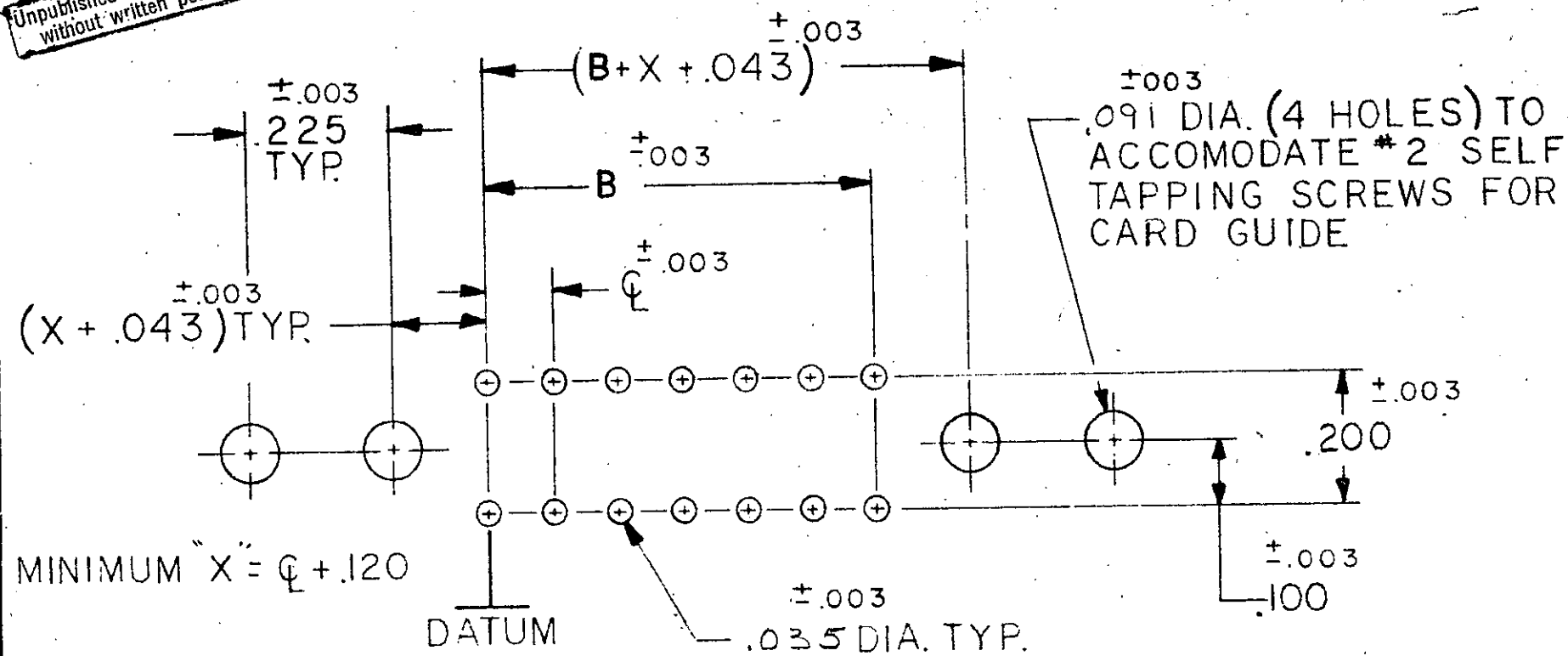
- Ⓜ FINISH: .000015 GOLD. SELECTIVE.
- Ⓜ SEE SHEET 2 FOR RECOMMENDED PRINTED CIRCUIT BOARD LAYOUT.

UNLESS OTHERWISE SPECIFIED, DIMENSIONS ARE IN INCHES TOLERANCES ON: DECIMALS ±.005 ANGLES ±.2°	CONTRACT NO.	AMP INCORPORATED HARRISBURG, PENNSYLVANIA	
	DR <i>Runkle 1-29-73</i>	NAME HOUSING ASS'Y, TWIN LEAF, .156 C, SOLDER TYPE POST,	
	CHK <i>M. Ziegler 2-5-78</i>	SIZE C	
	APPD <i>Larry M. Brown 2-5-73</i>	CODE IDENT NO. 00779	NUMBER 583486
MATERIAL △ HOUSING: GLASS FILLED POLYESTER. COLOR: BLACK. △ CONTACT: PHOS. BRONZE	REL <i>R. J. Triunfo 3/13/73</i>	SHEET 1 OF 2 SHTS.	
DSGN APPD	OTHER APPD	SCALE	

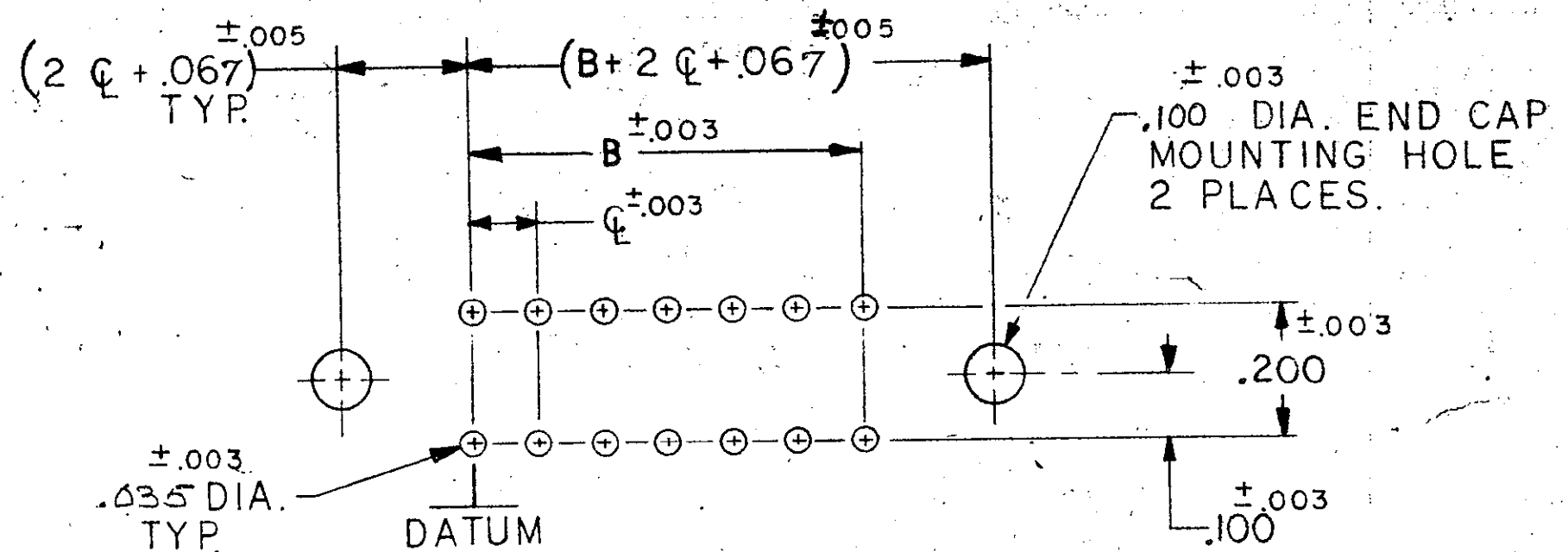
CUSTOMER DRAWING

Unpublished copy not to be reproduced without written permission of AMP Incorporated.

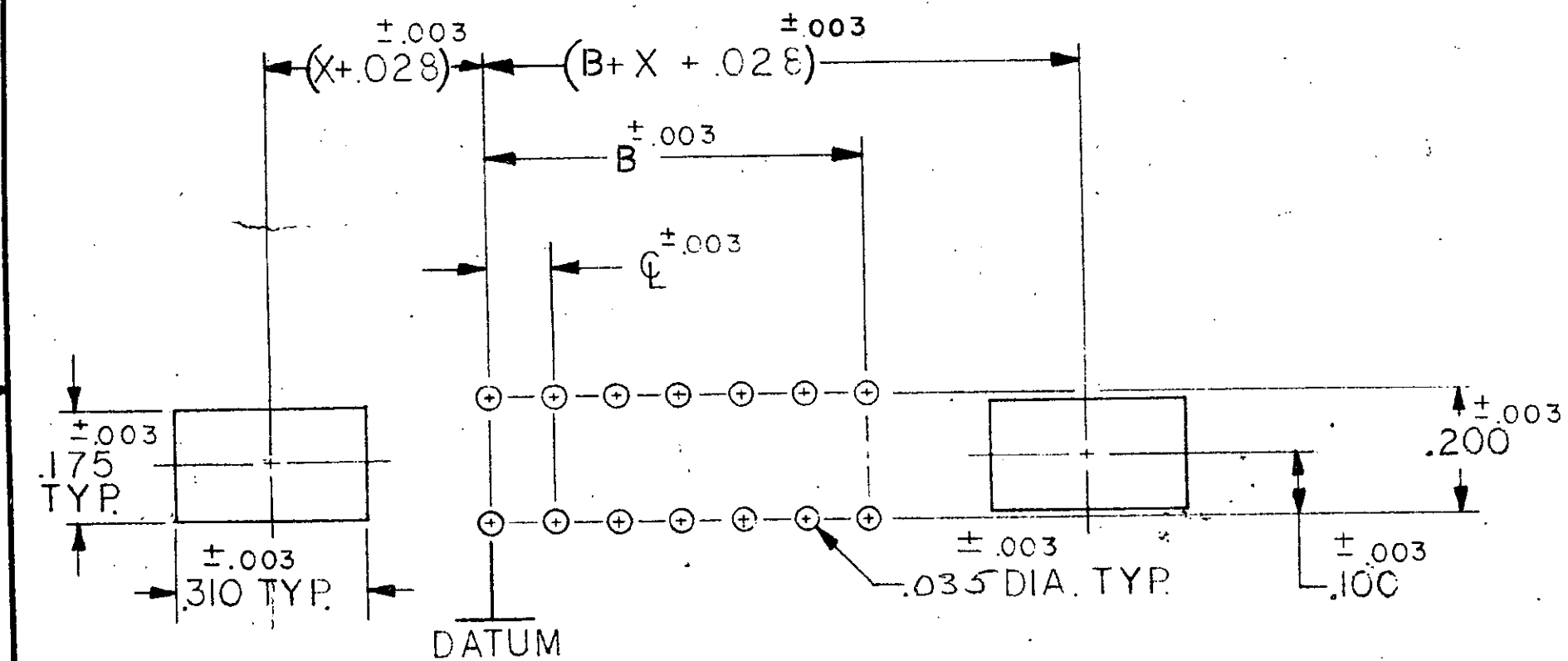
REVISIONS				
ZONE	LTR	DESCRIPTION	DATE	APPROVED
SEE SHEET 1				



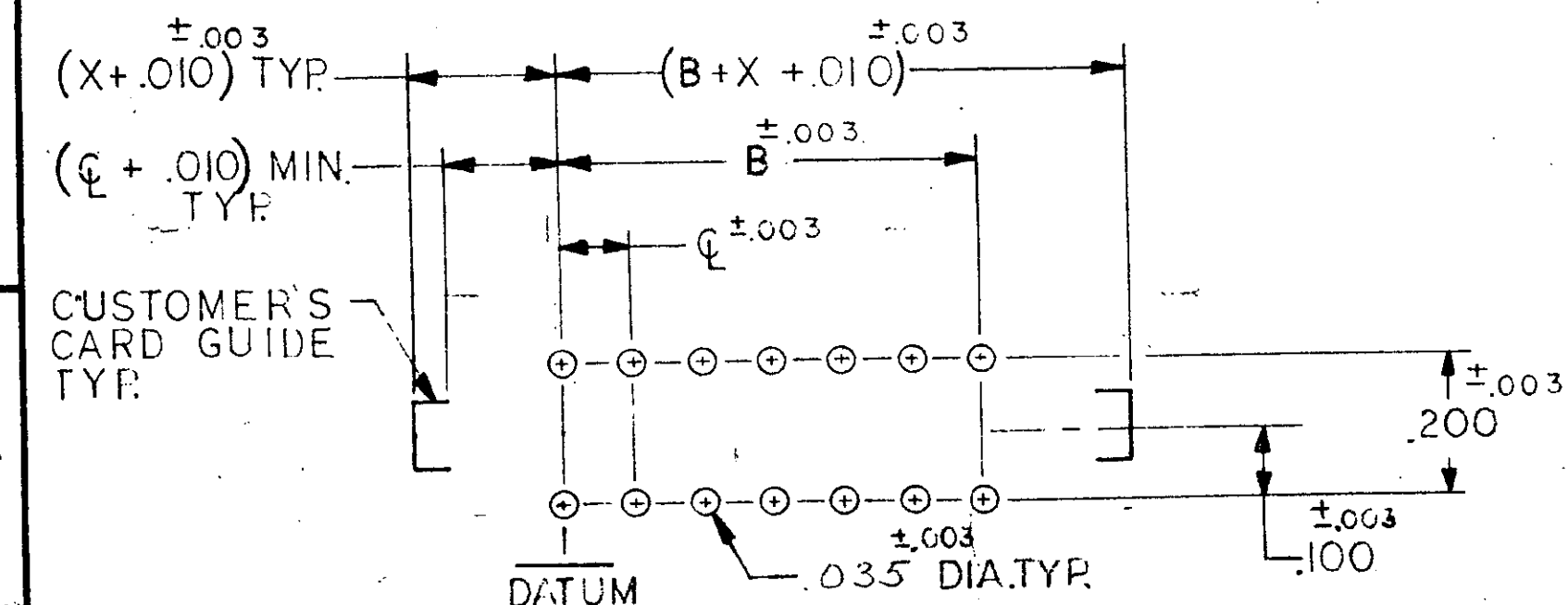
BOARD LAYOUT FOR USE WITH AMP CARD GUIDE PART NO. 583671



BOARD LAYOUT FOR USE WITH END CAP



BOARD LAYOUT FOR USE WITH AMP CARD GUIDE PART NO. 583408 CR 583425

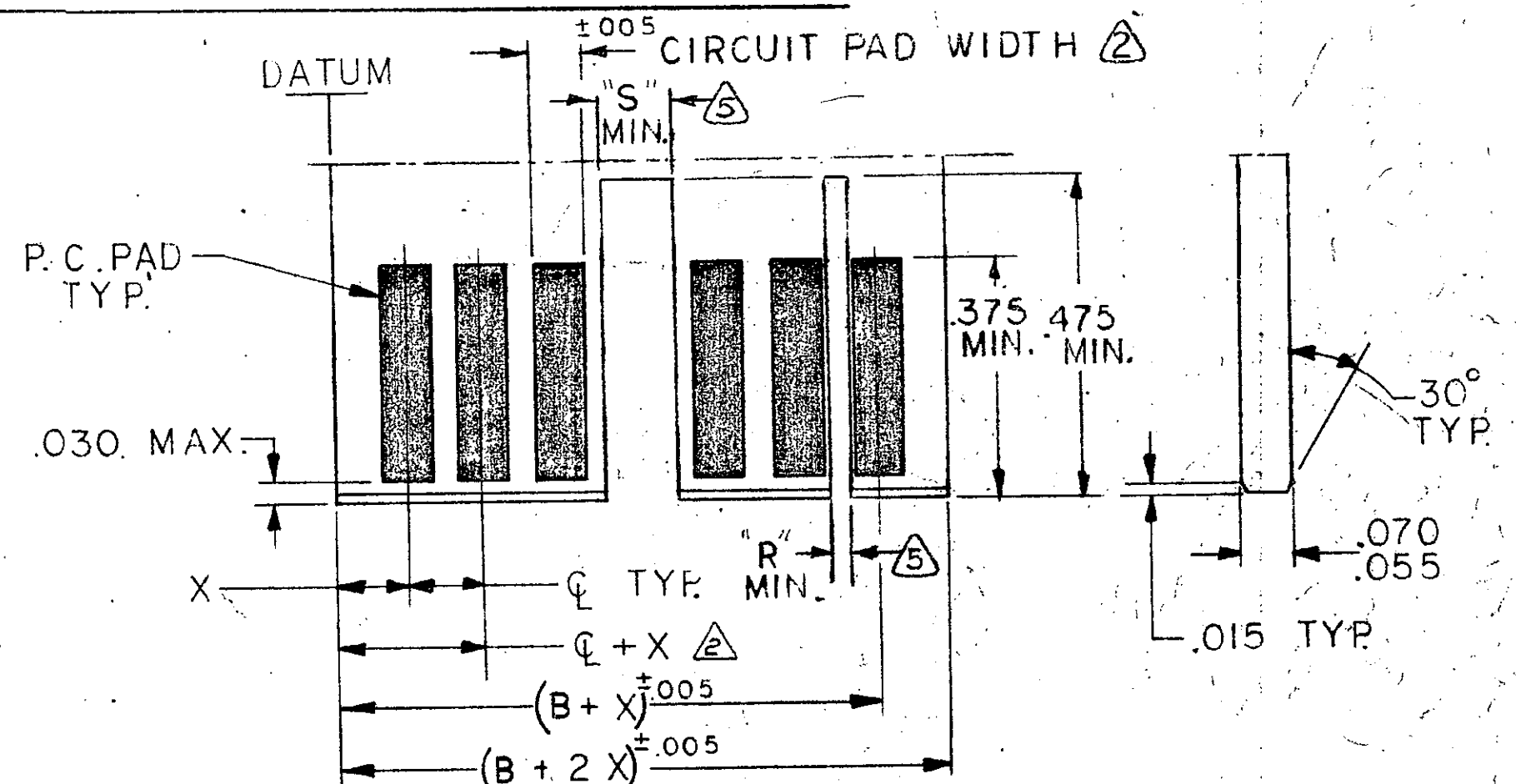


BOARD LAYOUT FOR USE WITH CUSTOMER SUPPLIED CARD GUIDE

THE SLOT FOR INTER-CONTACT KEYING PLUGS MUST BE CENTERED BETWEEN THE PRINTED CIRCUIT PADS, WHILE THE SLOT FOR ON-CONTACT KEYING PLUGS MUST BE CENTERED ON THE AREA OF A PRINTED CIRCUIT PAD.

INTER-CONTACT KEYING PLUG	"R"	FOR CENTER LINE SPACING
530030-1	.050	.125-.150-.156
530030-2	.040	.100

ON CONTACT KEYING PLUG	"S"	FOR CENTER LINE SPACING
583714-1	.129	.100-.125
583714-2	.160	.150-.156



DAUGHTER BOARD LAYOUT

- MAX. ALLOWABLE WARPAGE OF MOTHER BOARD NOT TO EXCEED .005/IN.
- MAX. ALLOWABLE BOW OF DAUGHTER BOARD NOT TO EXCEED .010/IN.
- THICKNESS OF MOTHER BOARD IS .062 FOR DOUBLE SLOTTED CARD GUIDES AND .104 MAX. FOR ALL OTHER MOUNTING CONDITIONS.
- EACH PAD LOCATION INCREASES BY $C \pm .005$ WITH A NON-CUMULATIVE TOLERANCE OF $\pm .005$.
- CIRCUIT PAD WIDTH - .045 FOR .100 C
.072 FOR .125 C
.072 FOR .150 C
.080 FOR .156 C
- DIMENSIONS APPLY TO BOTH SIDES OF DAUGHTER BOARD.
- 3/8" INCREMENTS ON MOTHER BOARD HAVE $\pm .003$ NON-CUMULATIVE TOLERANCE.
- "X" IS A CUSTOMER CONTROLLED DIMENSION EXCEPT FOR END CAP ASSEMBLIES WHERE "X" = $C - .008$.

UNLESS OTHERWISE SPECIFIED, DIMENSIONS ARE IN INCHES TOLERANCES ON: DECIMALS ± ANGLES ±	CONTRACT NO.	AMP INCORPORATED HARRISBURG, PENNSYLVANIA
	DR <i>Rumble</i> 1-29-73	
MATERIAL	CHK <i>M. Ziegler</i> 2-5-73	NAME HOUSING ASSEMBLY TWIN LEAF CONNECTOR
	APPD <i>Jay M Brown</i> 2-14-73	.156 CENTERS.
OTHER APPD	REL <i>R. P. Trump</i> 3/13/73	SIZE C
	DSGN APPD	CODE IDENT NO. 00779
		NUMBER 583486
		SCALE #
		SHEET 2 OF 2 SHTS.